

SONANCE

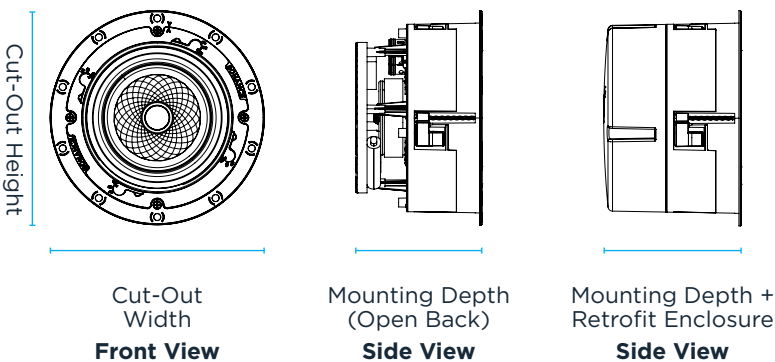
VISUAL EXPERIENCE DATA SHEET

VX62R SST

TECHNICAL SPECIFICATIONS

| | |
|---------------------------------|--|
| SKU | VX62R SST 93683 - Each |
| Tweeter | 1" (25mm) cloth dome, Ferrofluid-cooled, acoustic back chamber, dual voice coil |
| Woofer | 6.5" (165mm) textured polypropylene cone, rubber surround, pivoting, dual voice coil |
| Dispersion Technology | Sinusoidal textured waveguide |
| Speaker Pivot | Coincident woofer and tweeter, +/-13° pivot |
| Frequency Response | 45Hz - 20kHz +/-3dB |
| Impedance | 8 ohms nominal; 6 ohms minimum |
| Power Handling (RMS) | 5 watts minimum; 125 watts maximum |
| Sensitivity (2.83V/1m) | 89dB SPL |
| Round Micro Trim Grille (Dia) | 9.62" (244.4mm) |
| Round Trimless Grille (Dia) | 9.28" (235.6mm) |
| Square Micro Trim Grille (WxH) | 9.62" x 9.62" (244.4mm x 244.4mm) |
| Square Trimless Grille (WxH) | 9.28" x 9.28" (235.6mm x 235.6mm) |
| Speaker Mounting Depth (D) | 4.92" (125mm) |
| Mounting Depth + Retrofit Encl. | 5.75" (146.1mm) |
| Cut-Out Dims (Dia) | 8.25" (210mm) |
| Shipping Weight | 4.5 lbs. (2.1kg) |

DIMENSIONAL DRAWINGS



VX 6" ROUND ACCESSORIES

| | |
|---|-------|
| VX6R-GRILLE-T 6" Micro Trim Round Grille / Pair | 93575 |
| VX6R-GRILLE-NT 6" Trimless Round Grille / Pair | 93576 |
| VX6SQ-T 6" Micro Trim Square Adapter / Pair | 96030 |
| VX6SQ-T-5PR 6" Micro Trim Square Adapter / 5xPair | 96033 |
| VX6SQ-NT 6" Trimless Square Adapter / Pair | 93586 |
| VX6SQ-NT-5PR 6" Trimless Square Adapter / 5xPair | 93589 |
| VX6-ENCL-R 6" Round Enclosure / Pair | 96343 |
| FLEXBRK-6-R 6" Round Flex Bracket / 5x Pair | 92337 |

LIMITED LIFETIME WARRANTY

Sonance warrants to the first end-user purchaser that this Sonance-brand product ("Product"), when purchased from an authorized Sonance Dealer/Distributor, will be free from defective workmanship and materials for the life of the Product, except for the grille, which is warranted for five (5) years. Sonance will at its option and expense either repair the defect or replace the Product with a new or remanufactured Product or a reasonable equivalent. ©2024 Sonance. All rights reserved. Sonance is a registered trademarks of Dana Innovations. Due to continuous product improvement, all features and specifications are subject to change without notice. For the latest Sonance product specification information visit our website at www.sonance.com. 991 Calle Amanecer • San Clemente, CA 92673 USA • Phone: (949) 492-7777 • Fax: (949) 361-5151 • Technical Support: (949) 492-7777 12.16.2024