



T1 Phono SB

Audiophile Entry Level Turntable with Phono Preamp and Electronic Speed Change

MSRP 399 € (incl. VAT)

Walnut finish: 

Satin White: 

High-Gloss Black: 

- Precision belt-drive with accurately regulated speed stability and electronic 33/45 RPM speed change
- Built-in switchable phono stage
- Anti-resonant sub-platter design
- Heavy 8mm, zero-resonance blasted-glass platter
- Precision CNC'd heavy full chassis
- NO hollow spaces, NO plastic
- Ortofon OM5e Moving Magnet pickup
- 8,6" highly precise and light aluminium tonearm
- Low friction, vibration free tonearm bearing
- One-piece tonearm design with integrated headshell
- Super shielded, semi-symmetrical, low-capacitance phono cables - purpose designed by Pro-Ject
- Vibration absorbing feet
- Elegant dustcover with adjustable hinges
- Available in High-Gloss Black, Satin White and Walnut
- Hand-made in Europe

Speed: 33, 45 (electronic speed change)
Principle: Belt drive
Speed variance: 33: 0.7% 45: 0.6%
Wow & Flutter: 33: 0.25% 45: 0.23%
Platter: Heavy 8mm, blasted-glass platter with felt mat
Main bearing: Stainless steel/brass
Signal to noise: 65dB
Tonearm: 8.6" aluminium
Effective arm length: 218.5 mm
Overhang: 22.0 mm
Effective tonearm mass: 8.0 g
Counterweight for mass: 5 - 10g (pre-mounted)
Tracking force range: 0 - 50mN (17.5 mN pre-adjusted)
Outputs: RCA Phono/Line (switchable)
Included accessories: dustcover, feltmat, power supply, high-quality phono/line RCA cable
Power Supply: 110 - 240V/50, 60Hz; 15 V DC 800mA
Power consumption: 4.5 Watt max
Dimensions: 415x100x335 mm (WxHxD)
Weight: 3.8 kg net

Pro-Ject T1: A New Generation of Turntable

The T1 from Pro-Ject Audio Systems is the first T-Line turntable, aiming to deliver true high-fidelity sound on a limited budget. Boasting premium materials, stylish aesthetics and a rich, lively sound, the extensive development process has ensured that there has been no compromise in the sound performance when achieving such an affordable price. Compared to the base T1-model, the Phono SB version includes a built-in, Pro-Ject designed, high-quality phono MM stage and an electronic speed switch between 33 and 45 RPM.



Built-in phono stage
Switchable phono/line output

The stylish CNC-machined plinth, available in High Gloss Black, Satin White or Walnut finish, features no plastic parts and is carefully manufactured to ensure there are no hollow spaces inside, therefore avoiding unwanted vibrations within the chassis.



Superb build-quality, stylish looks and audiophile sound
Precision CNC'd plinth and heavy zero-resonance glass platter

Carrying this philosophy through the design, the glass platter is also a heavy, zero-resonance design – again avoiding the flaws of plastic or lightweight steel alternatives. Finally, the purpose-chosen turntable feet also do a good job of isolating the T1 from ambient vibrations around your hi-fi system.

Pushing Audiophile Design to a new Affordable Level

For the drive system, where most alternative products may use un-regulated DC motors with wide speed fluctuations, the T1 Phono SB features our proven system of an electronically regulated, precision-speed AC motor. The T1 Phono SB also comes with electronic speed switching between 33 and 45 RPM. The result is a low-noise, stable drive system for the turntable.



Electronic Speed Switch between 33/45 RPM
DC/AC motor control board for best speed stability

In the T1-line, the motor drives a belt-system, attached to a newly designed sub-platter, which is mounted into an ultra-precise 0.001mm main bearing with a hardened steel axle and brass bushing – just like our coveted Essential III turntables. Alongside the chosen motor system, the T1 is therefore able to ensure a smooth, anti-resonant rotational platform for the tonearm and cartridge to ride across.



Ultra-precise electronically regulated motor
Immaculate speed stability and accuracy

The tonearm on the T1-line is a new model, based on previous Pro-Ject designs. With its straight, 8.6" effective length and stiff aluminium construction, this one-piece tonearm also features low-friction bearings for absolute accuracy in use. Besides the clean and stylish looks, the integrated headshell won't cause any additional vibrations either, and is a big improvement over other detachable, screwed-on or glued-on headshells!

Supplied with an Ortofon OM5e Moving Magnet cartridge, featuring an elliptical diamond stylus tip; this is a true hi-fi playback system with no corners cut.

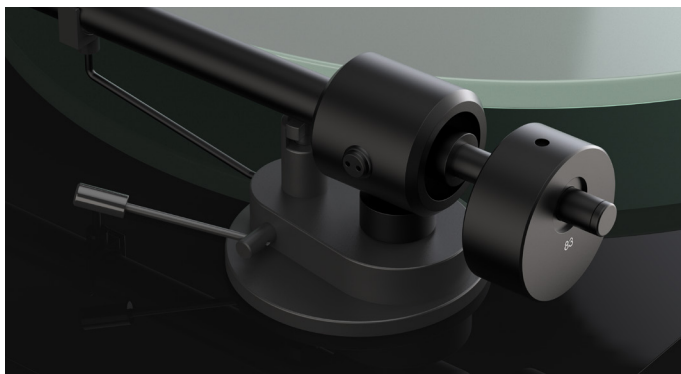


One-piece aluminium tonearm
Robust and stiff construction for pure sound fidelity

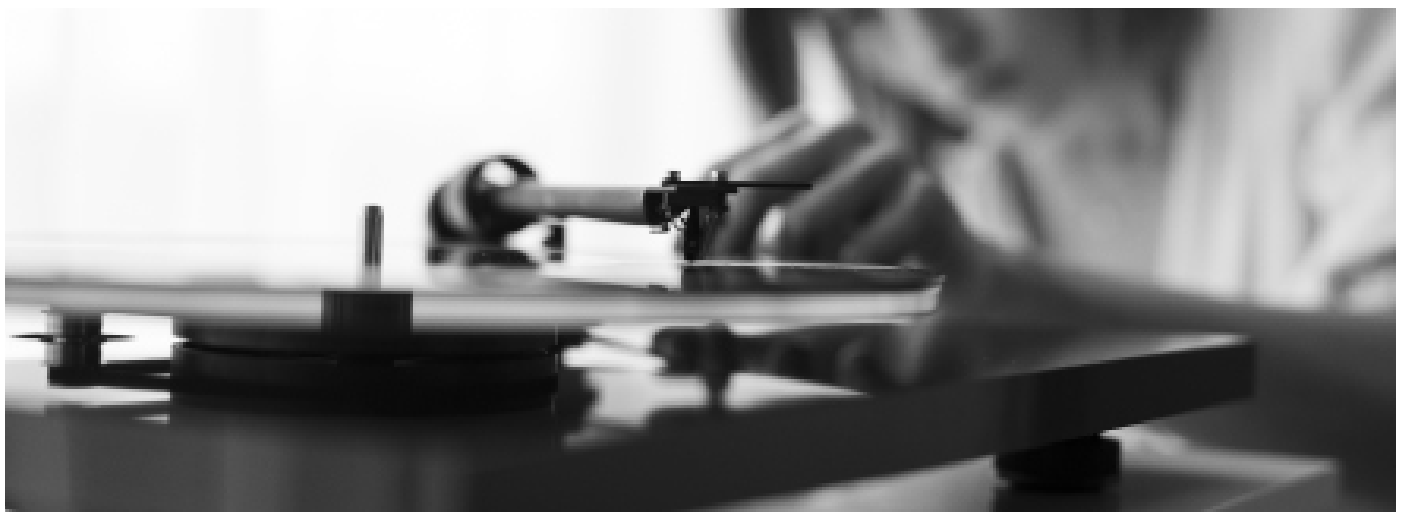
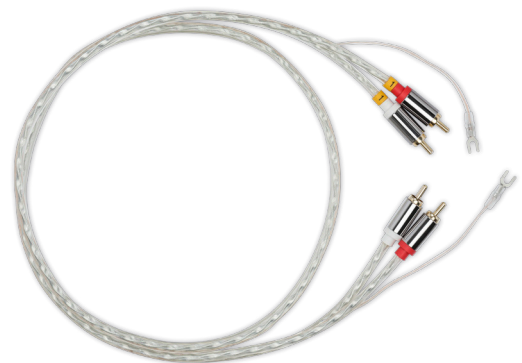


High-quality Ortofon OM5e Moving Magnet cartridge
with elliptical stylus tip

The T1 Phono SB is then finished with super shielded, semi-symmetrical, low-capacitance phono cables, purpose-designed by Pro-Ject – not off-the shelf RCA cables. There is also a dust cover for extra protection and a felt mat to protect your records.



Low-friction bearing
Fast, clean and precise tracking



The T1 Phono SB is a new affordable marvel. Still made in Europe by a turntable factory with decades of experience, it is a true hi-fi turntable that looks and sounds sublime.



High-gloss Black



Walnut



Satin White



No corners cut!
Audiophile engineering. No plastic. More sound.