

Stylum

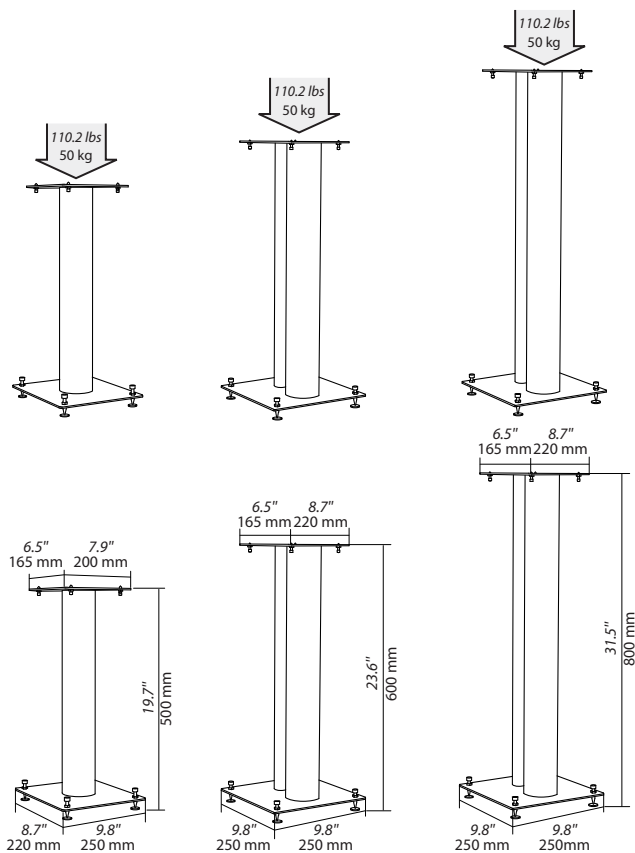
The Stylum line of speaker stands has been designed by audio specialists for audio fanatics. Their common structure is really functional.

The adjustable spikes, located on both the top and bottom plates, ensure ideal adjustment for a perfect stability of the installation. The anti-vibration system guarantees the best performances from your speakers.

You can also add sand inside the main tube to lower the resonance frequency.



SPECIFICATIONS



DESIGN

Finishes: Glossy Black or Silver

Structure: Glossy black or silver powder coated steel

Miscellaneous: – Spikes or skidproof pads
– Adjustable spikes and counter spikes
– Cable management system

MAXIMUM LOAD

Speaker stand: 110.2 lbs / 50 kg

USABLE DIMENSIONS

Stylum 1

Top plate (W x D): 6.5" x 7.9" / 165 x 200 mm

Base plate (W x D): 8.7" x 9.8" / 220 x 250 mm

Height: 19.7" / 500 mm

Packaging dimensions (W x H x D): 20.9" x 4.1" x 10" / 530 x 105 x 255 mm

Gross weight: 19.8 lbs / 9 kg – **Net weight:** 18.5 lbs / 8,4 kg

Stylum 2

Top plate (W x D): 6.5" x 8.7" / 165 x 220 mm

Base plate (W x D): 9.8" x 9.8" / 250 x 250 mm

Height: 23.6" / 600 mm

Packaging dimensions (W x H x D): 24.8" x 4.1" x 11.2" / 630 x 105 x 285 mm

Gross weight: 25.8 lbs / 11,7 kg – **Net weight:** 24 lbs / 10,9 kg

Stylum 3

Top plate (W x D): 6.5" x 8.7" / 165 x 220 mm

Base plate (W x D): 9.8" x 9.8" / 250 x 250 mm

Height: 31.5" / 800 mm

Packaging dimensions (W x H x D): 32.7" x 4.1" x 11.2" / 830 x 105 x 285 mm

Gross weight: 30 lbs / 13,6 kg – **Net weight:** 28.7 lbs / 13 kg

PACKAGING

Delivered disassembled with screws kit, mounting instructions and tools

Quantity/box: 2 – **Type:** Brown cardboard

GenCodes: 3760108801509 (Stylum 1 / Glossy Black)

3760108801516 (Stylum 1 / Silver)

3760108808171 (Stylum 1 / Glossy white)

3760108801523 (Stylum 2 / Glossy Black)

3760108801530 (Stylum 2 / Silver)

3760108802117 (Stylum 2 / Glossy White)

3760108801547 (Stylum 3 / Glossy Black)

3760108801554 (Stylum 3 / Silver)

3760108808188 (Stylum 3 / Glossy white)

