

## PrimeSupportPro

The VPL-VW320ES & VPL-VW550ES come with our 3-year PrimeSupportPro package. There are no unexpected costs if you experience a problem, just fast, efficient technical support from our free multi-lingual helpline advisors. This package also includes 1-year or 1,000 hours lamp cover.

## PrimeSupport Pro



## Specifications

		VPL-VW320ES	VPL-VW550ES
Display system		High Frame Rate SXRD panel	
Light Output		1,500 lm	1,800 lm
Dynamic contrast		-	350,000 : 1
Display elements	Effective display size	0.74" x 3	
	Effective pixels	4K (4096 x 2160) x3 / 26,542,080 pixels	
Projection lens	Zoom / Focus	Electric (Approx. 2.1 x) / Electric	
	Throw ratio	1.38-2.83:1	
	Lens shift	Electric, V +85% / -80% H: +/-31%	
Light source		Ultra High-pressure lamp 225W type	Ultra High-pressure lamp 280W type
Screen size		60" to 300"	
Reality Creation		YES (4K Reality Creation)	
Compatible with Hybrid Log Gamma		-	YES
High Dynamic Range (HDR)		YES	YES
Compatible with "Mastered in 4K " Blu-ray		YES	
4K 60p		YES (YCbCr 4:2:0 8 bit)	YES (YCbCr 4:2:0 10 bit)
TRILUMINOS™		YES	
Advanced iris		-	YES (ver. 3)
3D capability		YES	
3D emitter		Built-in RF emitter	
3D glasses		TDG-BT500A (Optional)	
Manual Calibration		HSV Colour Correction	
HDCP 2.2 Compliance		YES*1	
Wireless HDMI compatibility		IFU-WH1 (Optional)	
Low latency mode		YES	
Picture modes		9 modes	
Picture position		-	YES
Gamma modes		11 modes	
Panel Alignment		Yes (Shift / Zone)	
Input/Output	HDMI (2 inputs)	Digital RGB/Y Pb/Cb Pr/Cr	
	Remote	RS-232C	
	LAN	RJ45, 10BASE-T/100BASE-TX	
	IR IN	Mini Jack	
	TRIGGER	Minijack, DC 12V Max. 100mA	
	USB	DC 5V. MAX. 500mA	
Acoustic noise		26dB	
Power requirement		AC 100 V to 240 V, 3.5A to 1.5A, 50/60 Hz	AC 100 V to 240 V, 4.1A to 1.7A, 50/60 Hz
Power consumption		330W	390W
Lamp life**		6,000h	
Body Colour		Black / Premium White	
Standard outside dimensions		W 496 mm H 202mm D 464mm	
Weight		Approx. 14 kg	
Supplied Accessories		Remote Control RM-PJ28	Remote Control RM-PJ24
		Size AA (R6) manganese batteries (2)	
		AC Power Cord for projector (1)	
		Quick reference manual (1)	
		Operating Instructions (CD-ROM) (1)	

\*1 For the VPL-VW320ES HDMI Input 2 is compatible with HDCP2.2.

\*\*The figures are expected maintenance time and not guaranteed. They will depend on the environment or how the projector is used.

## Optional Accessories

Projector lamp for VPL-VW320ES  
(LMP-H220)



Projector lamp for VPL-VW550ES  
(LMP-H280)



3D Glasses  
(TDG-BT500A)



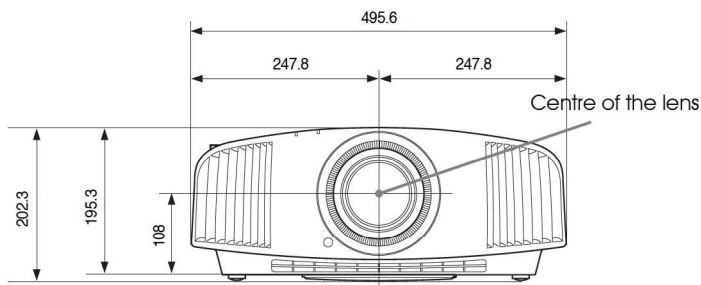
Ceiling Mount  
(PSS-H10)



## Dimensions

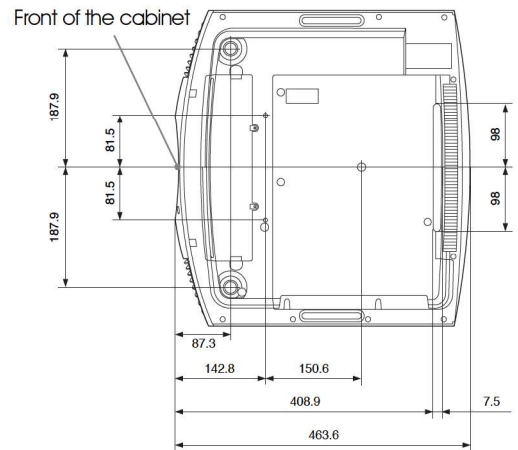
Front

Unit: mm



Bottom

Unit: mm



For further details of how to get a fully immersive 4K cinematic experience for your home visit:  
[www.pro.sony.eu/homecinemaprojectors](http://www.pro.sony.eu/homecinemaprojectors)

© 2016 Sony Corporation. All rights reserved. Reproduction in whole or in part without permission is prohibited. Features and specifications are subject to change without notice. All non-metric weights and measurements are approximate. 'Sony' and 'Brighiera' are registered trademarks or trademarks of Sony Corporation. All other trademarks are the property of their respective owners.

Distributed by

Sony is the leading supplier of AV/IT solutions to businesses across a wide variety of sectors including, Media and Broadcast, Video Security, Medical, Digital Cinema and Displays. It delivers products, systems and applications to enable the creation, manipulation and distribution of digital audio-visual content that add value to businesses and their customers. With over 25 years' experience in delivering innovative market-leading products, Sony is ideally placed to deliver exceptional quality and value to its customers. Collaborating with a network of established technology partners, Sony delivers end-to-end solutions that address the customer's needs, integrating software and systems to achieve each organisation's individual business goals. For more information please visit [www.pro.sony.eu](http://www.pro.sony.eu)

Follow us on Twitter at [@SonyProEurope](https://twitter.com/SonyProEurope) / [www.twitter.com/sonyproeurope](https://www.twitter.com/sonyproeurope)

**SONY**