



Tuscany Red

GOLD NOTE

The Renaissance of Technology.

Thank you for your purchase of the TUSCANY RED stereo cartridge.
Read these Operating Instructions carefully before using your TUSCANY RED and keep it for future reference.

Before Using

1. The Stylus is very delicate. Applying excessive force to the stylus, such as pressing with a finger can break it. Handle the cartridge with the utmost care.
2. A powerful magnet is used in the cartridge. Note that carelessly bringing a steel screwdriver or other such item near the cartridge will result in it being attracted by the magnet and may result in damage to the stylus, so care must be taken.

Package Content

- Cartridge body
- Stainless Steel no-magnetic two sets of head-shell fixing 2,5mm screws
- 2mm Allen Wrench
- Owner's Manual

Method of Use

1. Mounting the cartridge on the tone arm Head-Shell using the supplied Allen Wrench and one set of the 2,5mm screws. Adjust it to the stylus position specified for the turntable system you are using mounting it properly without tilting or turning it. (See Figure 1.)

- The output terminals are colours coded for identification as illustrated in Figure 2. Match the colors of the tone arm head-shell leads to the terminals and connect each other properly.

NOTE:

When connecting the cartridge, be sure to use the tipped leads and press them onto the terminals. Applying heat to the output terminals of the cartridge, such as in direct soldering, will cause internal damage to the cartridge, such as wire breakage.

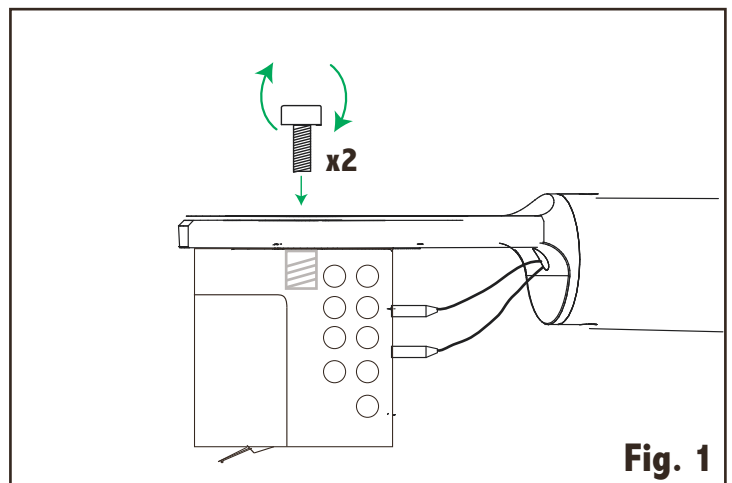


Fig. 1

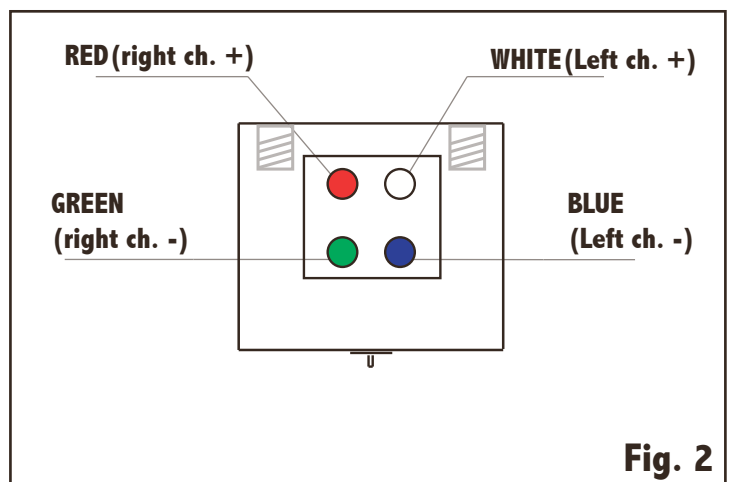


Fig. 2

The exclusive design of the **Tuscany Red** features an extra thin Micro Ridge diamond tip developed with Adamant-Namiki, the world most famous professional Diamond manufacturer. The Micro Ridge diamond tip special multi faced shape cut guarantees the best deep vinyl groove contact available today.

The diamond tip is mechanically inserted and blocked into the new telescopic Boron cantilever hold by a Titanium pipe increases the rigidity of the structure.

The Titanium pipe is finely machined from a single block of metal in 4 spokes that handle the cartridge silver micro coils hilt by a Teflon spacer enabling great rigidity while allowing a perfect alignment building precision to get the best tracking ability.

The non deformable harmonic steel cantilever suspension is blocked with a gold plated nut on the bottom side of the crossbar gold case positioned behind the micro-coils Teflon spacer rigidly blocked to the structure avoiding unwanted vibration affect the perfect solid groove tracking ability of the cartridge.

The Tuscany Red cube designed body offers a gorgeous structural rigidity while allowing a very intuitive and precise VTA adjustment easy to see flat bottom line.

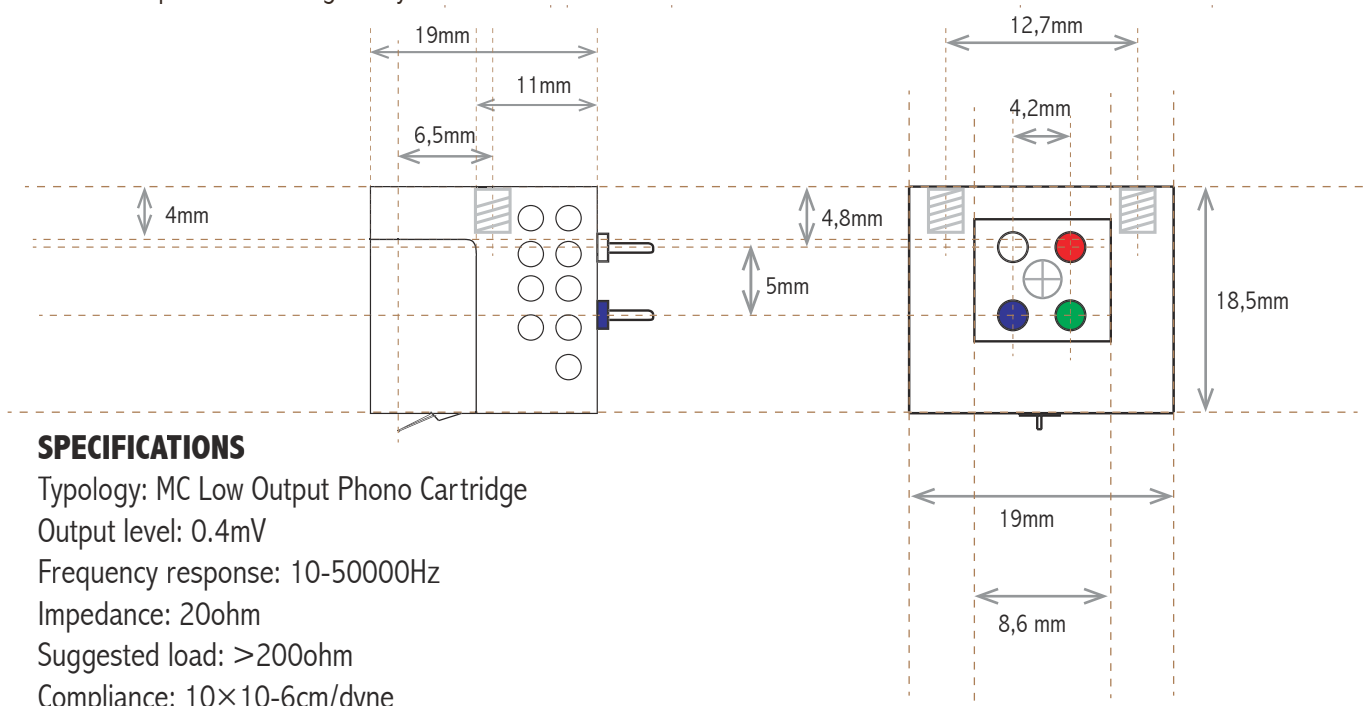
The 7050 alloy increased lighted body of the cartridge is strategically injected with fluid polymers to provide a pronounced dampening control effect.

The redesigned thinner and longer gold plated pin connectors enable a better contact with arm cinch, a better contact stops energy dispersion while enabling better grounding for a more silent music background to reach all minor details of the music at the best.

The Tuscany Red extra light precision hand-wrapped pure silver micro-coils enable 4ohm internal impedance and 0.25mV output level may be driven by quality active MC phono preamplifier without the need of Step-Up transformers.

The Italian high quality finishes and exotic design of the Tuscany Red last for a lifetime pleasure of music listening for the real highest demand.

Please Note: to preserve the uniqueness all Tuscany Red cartridges have the serial number indelibly printed in the engraved area of the top of the cartridge body.



SPECIFICATIONS

Typology: MC Low Output Phono Cartridge

Output level: 0.4mV

Frequency response: 10-50000Hz

Impedance: 20ohm

Suggested load: >200ohm

Compliance: 10×10^{-6} cm/dyne

Channel separation: >30dB

Suggested tracking weight: 1.8 to 2.1g

Cantilever: Boron

Diamond: Micro Ridge

Diamond size: $2.5 \times 75 \mu\text{m}$

Coil Wire: Copper

Magnet: Samarium-Cobalt

Mounting hole diamond distance: 6,5mm

Physical

Total weight: 11g

GOLD NOTE
The Renaissance of Technology.

Via della Gora, 6
Montespertoli (Florence) Italy 50025
Tel. + 39 0571 675005
Fax. + 39 0571 675013
www.goldnote.it