

Esse

The best creations often find their origins in the most basic principles.

This new piece strengthens the NorStone Design concept meaning: an efficient structure, using noble and strong materials, made to house your electronics with elegance and sobriety.

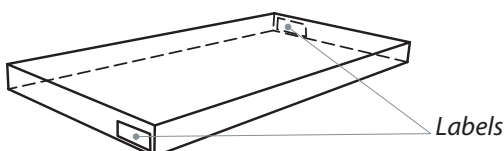
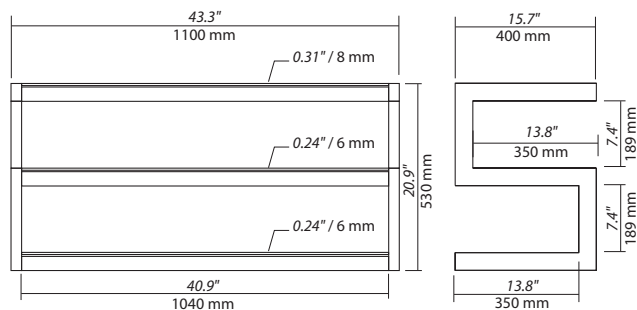
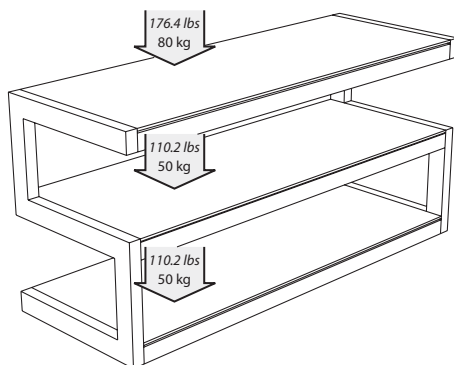
Owning a Esse, is also following the current design trend as it is available with 7 different finishes.



In the same range:
Esse^{mini}



SPECIFICATIONS



Labels

DESIGN

Finishes: Glossy White/Frosted
Glossy Black/Frosted
Glossy Black/Black
Glossy Black/Purple
Glossy Black/Pink
Glossy Black/Red
Glossy White/Black

Structure: Glossy black or white powder coated steel

Shelves: Frosted, black, purple or pink, red tempered glass

MAXIMUM LOAD

Upper shelf: 176.4 lbs / 80 kg – **Internal shelves:** 110.2 lbs / 50 kg

USABLE DIMENSIONS

Overall dimensions (W x H x D):

43.3" x 20.9" x 15.7" / 1100 x 530 x 400 mm

Upper shelf (W x D): 43.3" x 15.7" / 1100 x 400 mm

Internal shelves (W x D): 40.9" x 15.7" / 1040 x 400 mm

Height between shelves: 7.4" / 189 mm

PACKAGING

Delivered disassembled with screws kit, mounting instructions and tools

Quantity/box: 1 – **Type:** Brown cardboard

Dimensions (W x H x D): 44.8" x 4.5" x 19.3" / 1140 x 115 x 490 mm

Gross weight: 72.3 lbs / 32,8 kg – **Net weight:** 65.7 lbs / 29,8 kg

GenCodes: 3760108801349 (Glossy White/Frosted)
3760108801356 (Glossy Black/Frosted)
3760108801448 (Glossy Black/Black)
3760108801776 (Glossy Black/Purple)
3760108801783 (Glossy Black/Pink)
3760108801417 (Glossy Black/Red)
3760108801806 (Glossy White/Black)