

# elipson® | Heritage XLS11

COMPACT LOUDSPEAKER

The Elipson XLS 11 loudspeaker completes the heritage range, inspired by the monitoring speakers of the 1970s.

This new loudspeaker takes up a resolutely vintage aesthetic code under an even more compact, more discreet and equally elegant format beyond its aesthetic, it is still its musicality that comes first.

This compact 3-way loudspeaker tuned in bass reflex design with front-firing flared port benefits from a new 8" diameter cellulose woofer derived from the 12" woofer of XLS 15. The other drive units are identical, namely , a new 2.2" treated dome midrange covering nearly three octaves and finally a 0,87" silk dome tweeter declined from the famous tweeter from our flagship model of the Prestige Facet series.

A fine amplitude of 2dB allows you to adjust the mid and high frequencies levels according to your listening room or auditory affinity. In addition, an optional 5° tilted metal stand (Elipson Heritage XLS Stand 1) can be inserted for perfect acoustic phasing and which raises this loudspeaker by 22 cm in addition to this inclination.

Velocity and control of the bass, definition and relief of the midrange, delicacy and extension of the high frequencies characterize the sonic pleasure of this Elipson Heritage XLS11 loudspeaker.



*\*Stands in option*



TECHNICAL

<p><b>Type</b> Compact loudspeaker - 3 way - Bass - reflex</p> <p><b>Port</b> Flared - front ported - Tuned Freq.: 37 Hz</p> <p><b>Power</b> 130 W RMS</p> <p><b>Drive units</b> Mid-bass : 8" cellulose pulp Midrange : 2.2" coated dome Tweeter : 0.87" silk dome</p> <p><b>Crossover - Fc</b> 850 &amp; 5000 Hz - 12dB/12dB-12dB/18dB</p>	<p><b>Frequency response (<math>\pm 3</math>dB)</b> 45-25 000 Hz</p> <p><b>Tweeter &amp; midrange level control &amp; front plate</b> - 1 dB / 0 dB (Ref) / + 1 dB</p> <p><b>Recommended power amplifier</b> 50 - 150 W</p> <p><b>Sensitivity</b> 90 dB / 1W / 1m</p> <p><b>Impedance</b> 6 Ohms (min 3.4 Ohms @2600 Hz)</p>
--	--



DIMENSIONS  
WEIGHT

<p><b>Dimensions</b> H x W x D : 560 x 320 x 270/278 mm</p>	<p><b>Weight</b> 17 kg (unit)</p>
---	---------------------------------------

PACKAGING

<p><b>Packing dimensions</b> H x W x D : 715 x 455 x 415 mm</p>	<p><b>Gross weight</b> 20.5 kg</p>
---	--

PRODUCT  
CODES

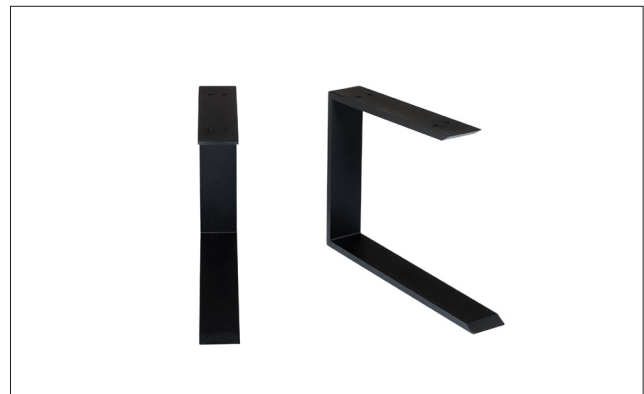
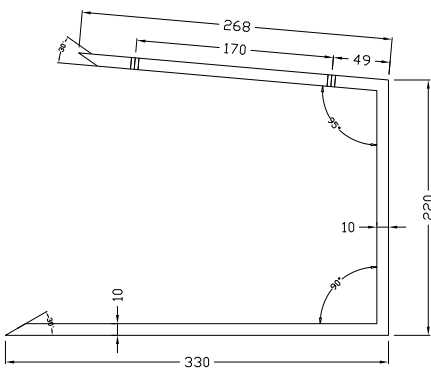
<p><b>SKU</b> ELIHERXLS11</p>	<p><b>EAN</b> 3700795192986</p>
-----------------------------------	-------------------------------------

# elipson® | XLS Stand 1

ACCESSORY : METAL VINTAGE STAND

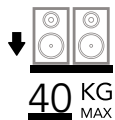


## DIMENSIONS :



\*Optional stands

## MAXIMUM SIZE / WEIGHT



## COLOR(S)

● Black satin

SKU : ELIXLS1BK

EAN : 3700795192993

## SPECIFICATIONS :

Finish : Black satin

Structure : Metal

Max load : 40 kg

Dimensions : W330x H220 x D50 mm

Rising height : 225 mm

Weight : 2,95 kg (/unit)

## PACKAGING PER PAIR (2) :

Quantity/box : 4 unités (1 paire d'enceintes) /1 carton

Gross weight : 13,5 kg